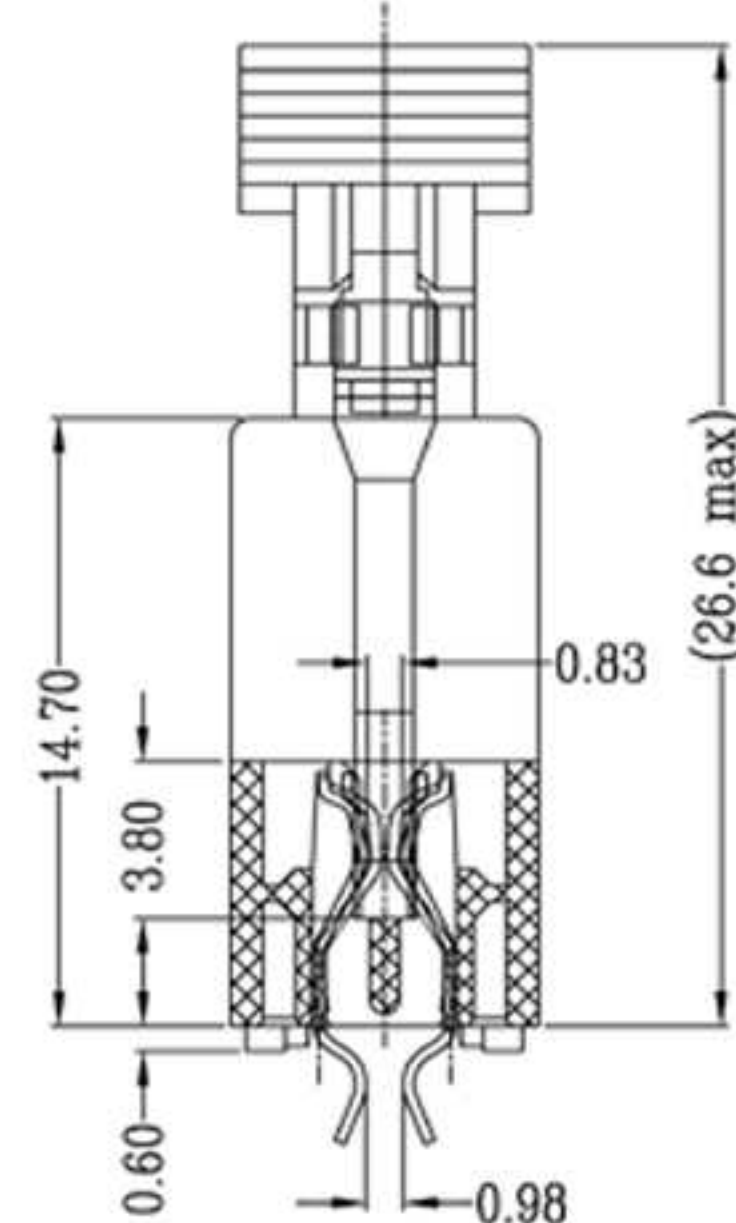
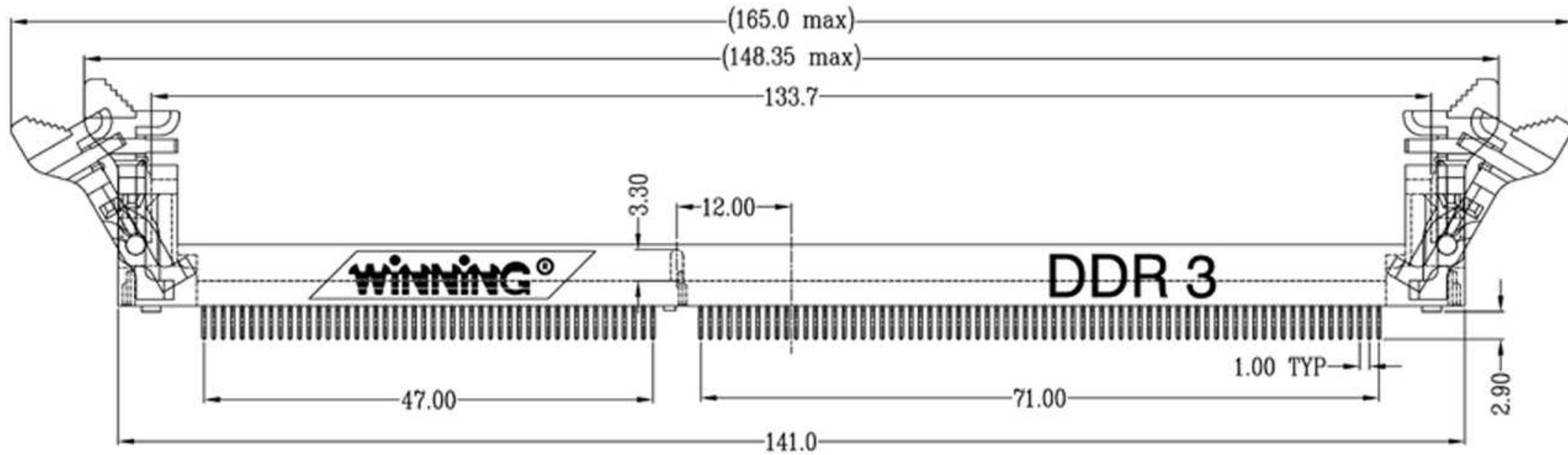
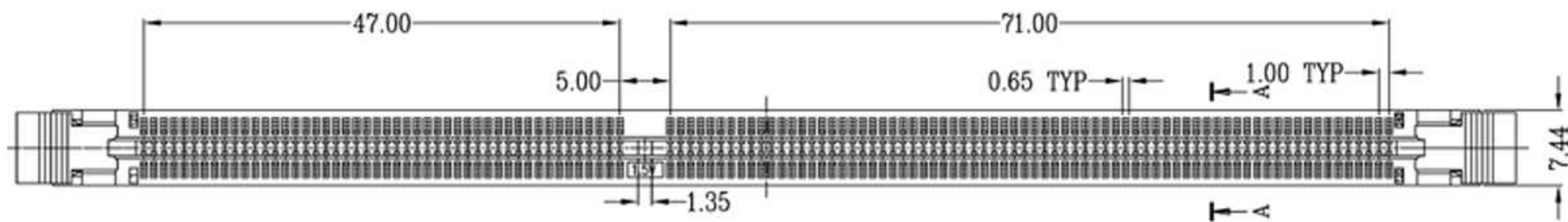
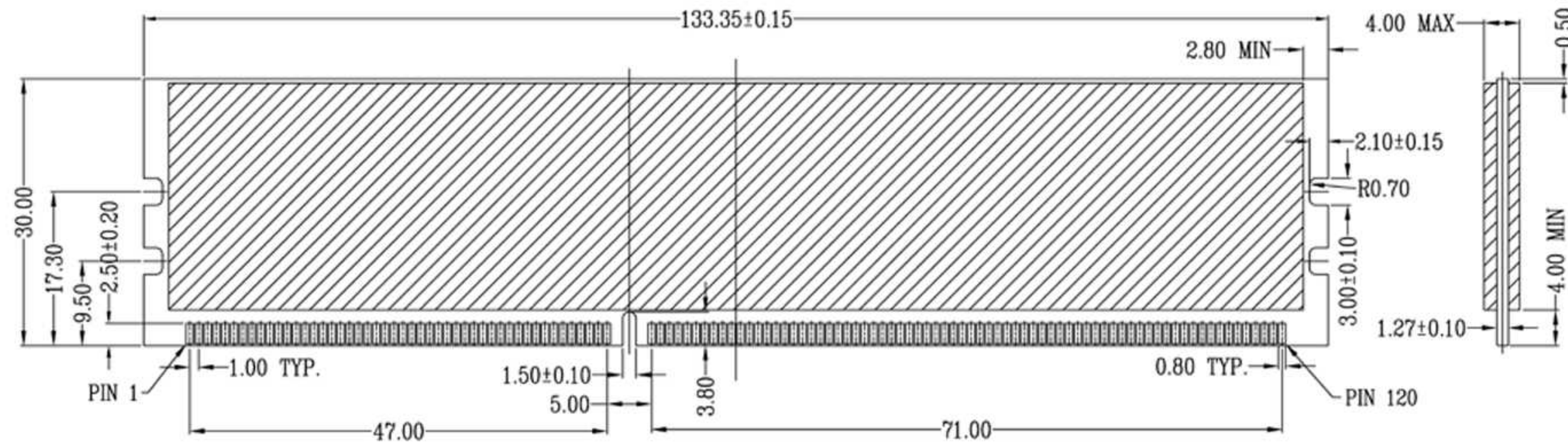


REV.	ECN.NO.	DATE
A	RELEASED	04/03/07



SECT:A-A
SCALE:2:1

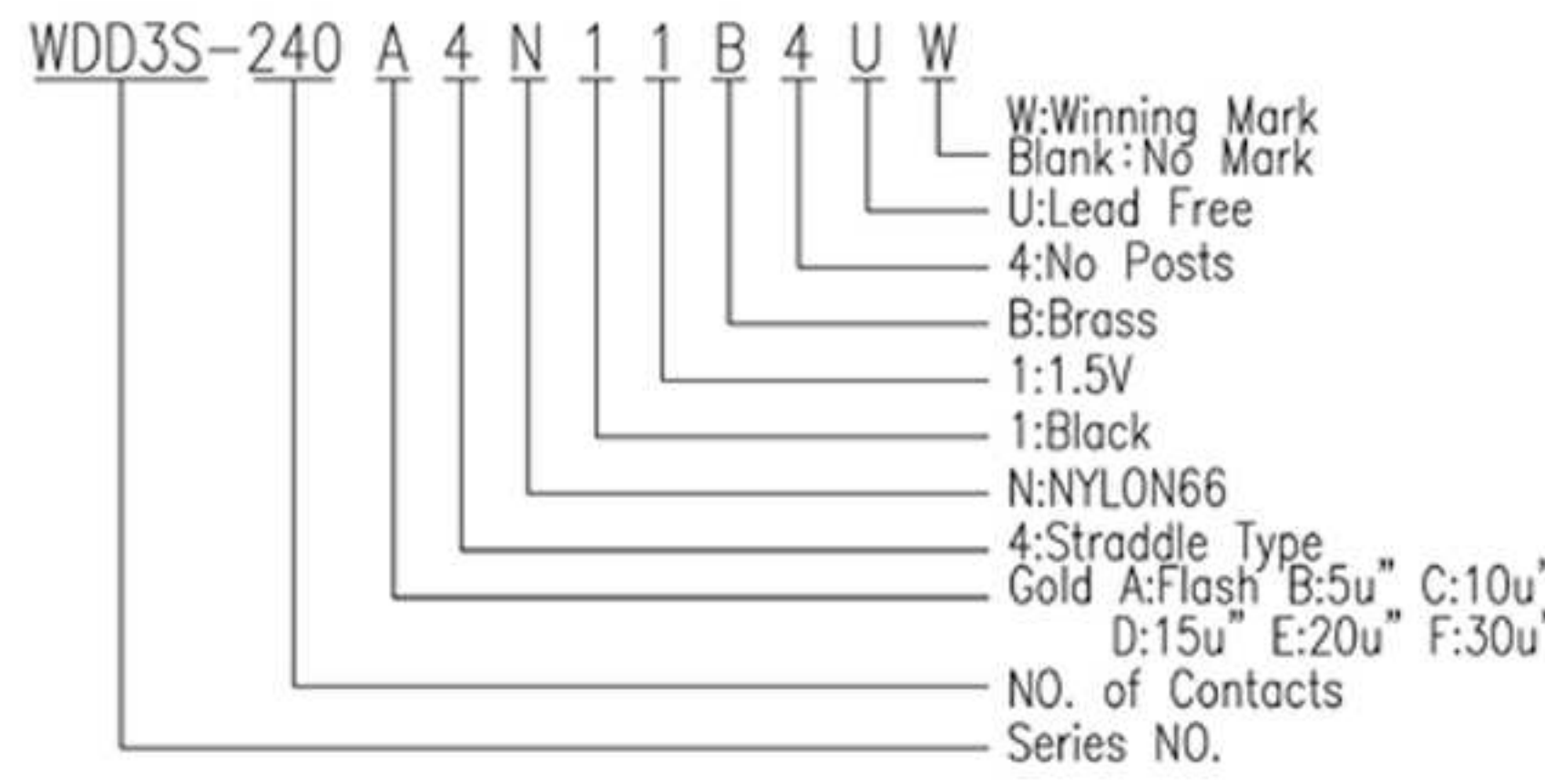


RECOMMENDED MODULE LAYOUT

NOTES

- * **MATERIAL:**
 BODY: Nylon66+20%~30%G.F, UL 94V-0 RATED.
 COLOR: Black
 EJECTOR: Nylon66+30%G.F,UL 94V-0 RATED.
 COLOR: Ivory
 CONTACT: Brass
 CONTACT PLATING: Gold Plating Over Nickel On Contact
 Area Tin Plating On Solder Tail
- * **MECHANICAL:**
 RETENTION FORCE-TERMINAL: 300 Grams Min. Per
 INSERTION FORCE: 35 lb. Max.
 UNMATING FORCE: 14 Grams Min. Per Pin Pair
- * **ELECTRICAL SPECIFICATION**
 CONTACT RESISTANCE: 30 Milliohms Max. Initial
 INSULATION RESISTANCE: 1000 Megohms Min.
 WITHSTAND VOLTAGE: 500 V AC, AT 500 VDC
- * **ENVIRONMENTAL:**
 OPERATING TEMPERATURE: -55°C TO +105°C

*** How To Order**



REV	Units	mm	Scale	1:1	Drawing By	Data	Date	04/03/07	Title	DDR3-240 Pins Straddle Type	
	Tolerance Unless Otherwise Specified				Reviewed By	Data	Sheet	1 of 1			
	.X	~	±0.38		Approval By	Data	Third Angle Projection		Drawing No.	REV	A
	.XX	~	±0.25								
	.XXX	~	±0.20								
	Angle	~	± 3°								