

IT8888



SH1 SH1.sch

ISA Slot



SH2 SH2.sch

PCI Bus



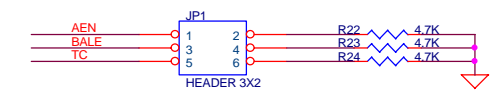
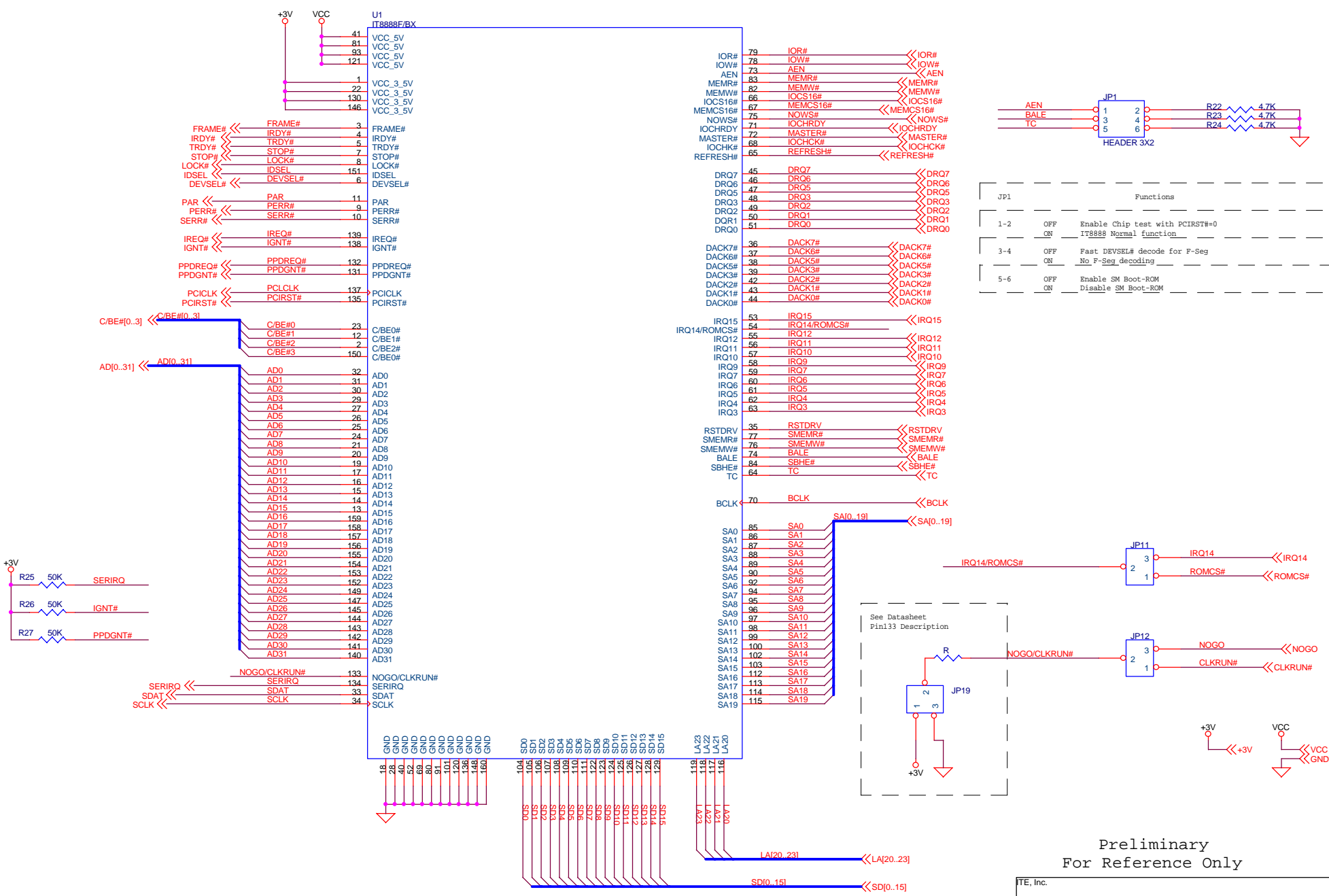
SH3 SH3.sch

Preliminary
For Reference Only

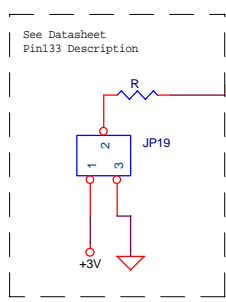
[LINK
SH1.SCH
SH2.SCH
SH3.SCH

** Subject to Change Without Notice

ITE, Inc.		
Title IT8888		
Size B	Document Number IT8888-090998	Rev 0.2
Date: Wednesday, October 25, 2000	Sheet	0 of 0



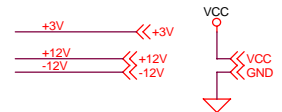
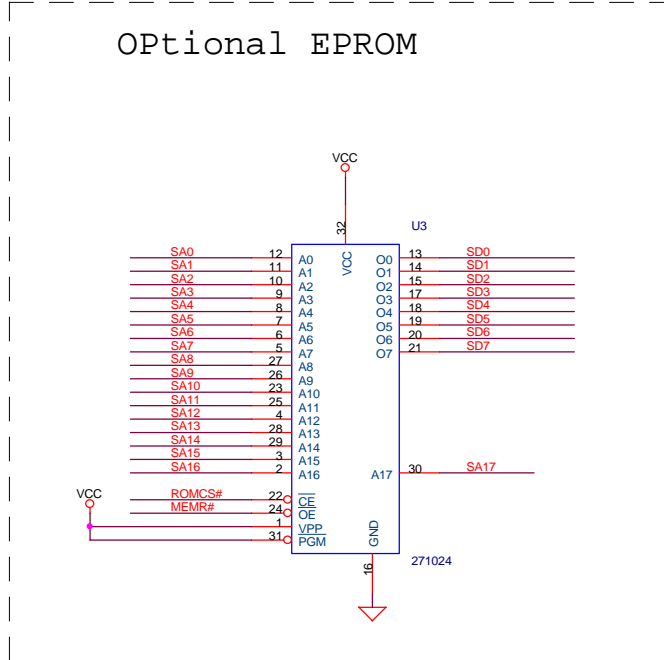
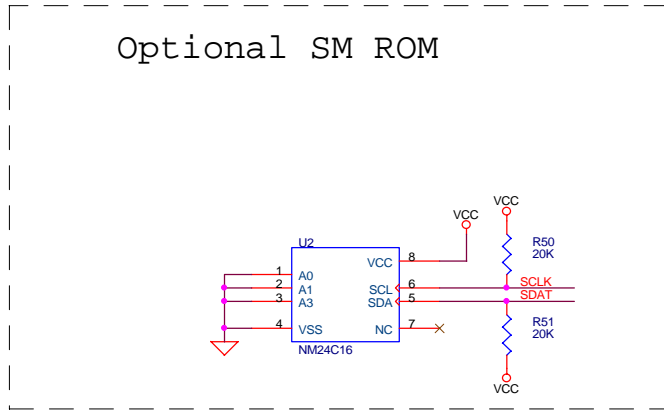
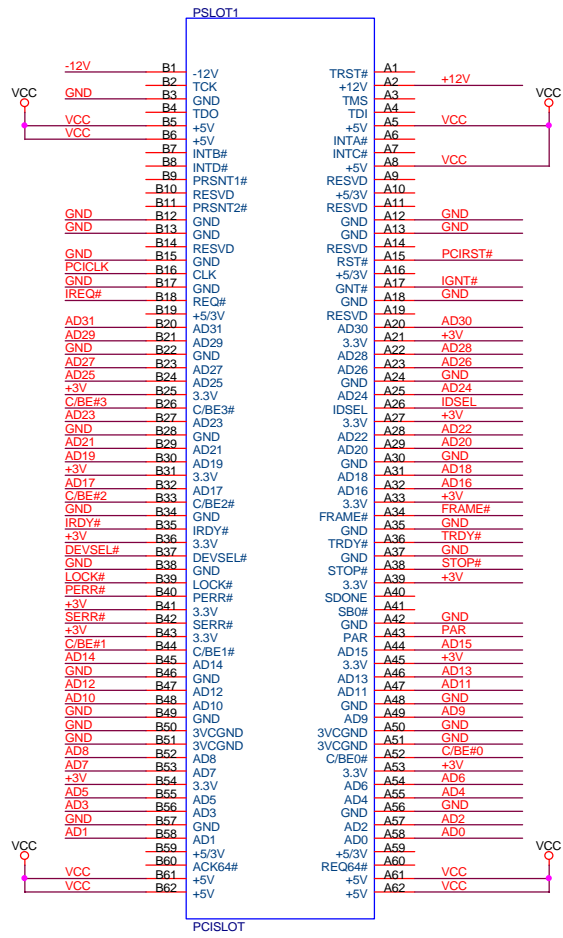
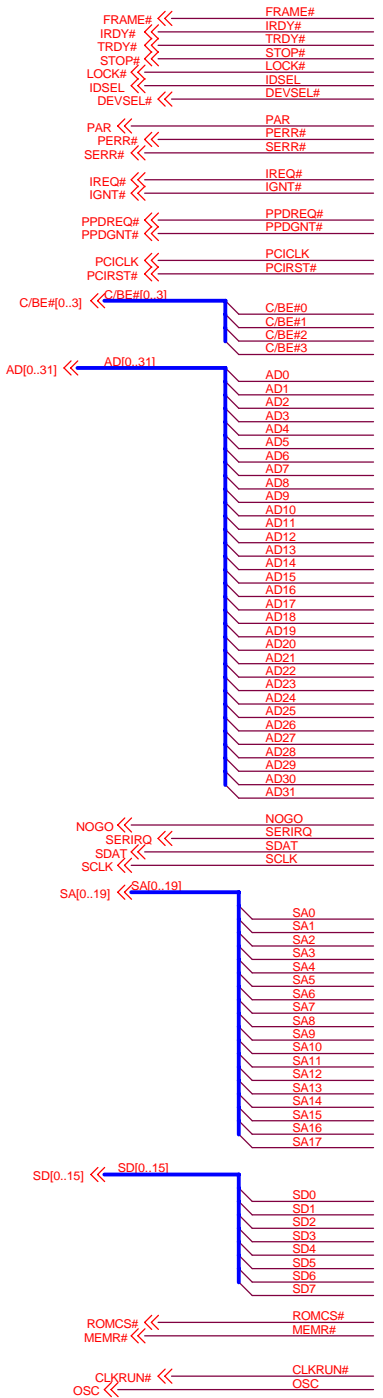
JP1 Functions			
1-2	OFF	Enable Chip test with PCIRST#	0
	CN	IT8888 Normal function	
3-4	OFF	Fast DEVSEL# decode for F-Seg	
	CN	No F-Seg decoding	
5-6	OFF	Enable SM Boot-ROM	
	CN	Disable SM Boot-ROM	



Preliminary
For Reference Only

ITE, Inc.		
Title IT8888		
Size B	Document Number IT8888	Rev 0.2
Date: Wednesday, October 25, 2000	Sheet 1	of 3

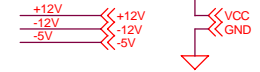
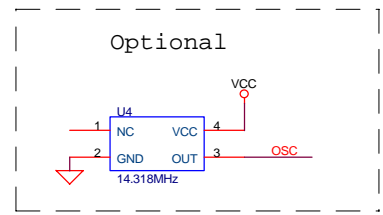
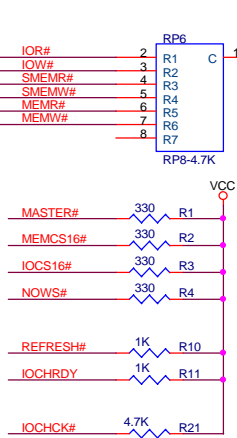
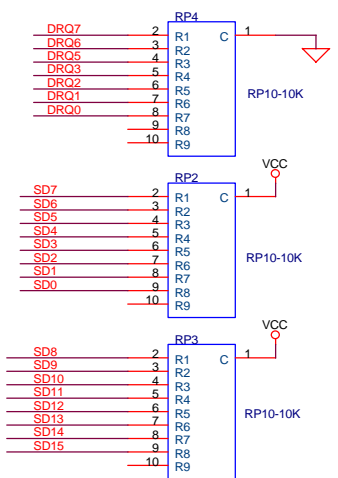
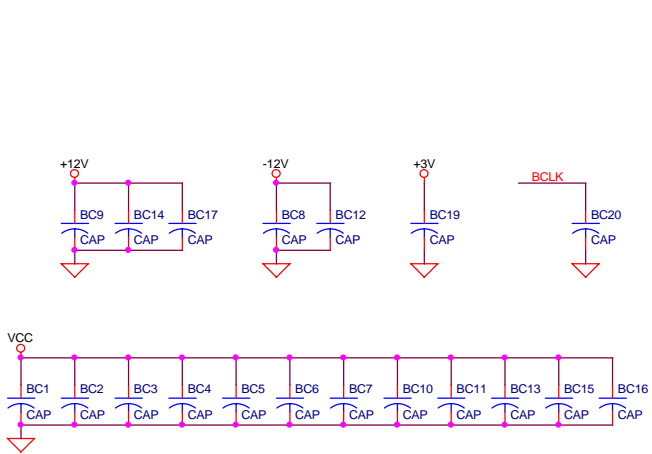
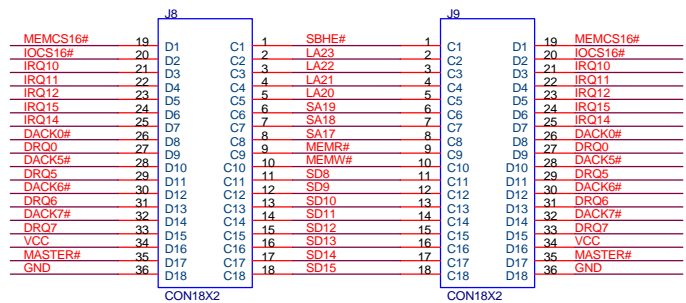
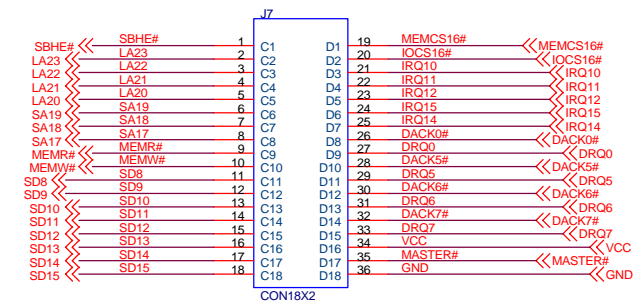
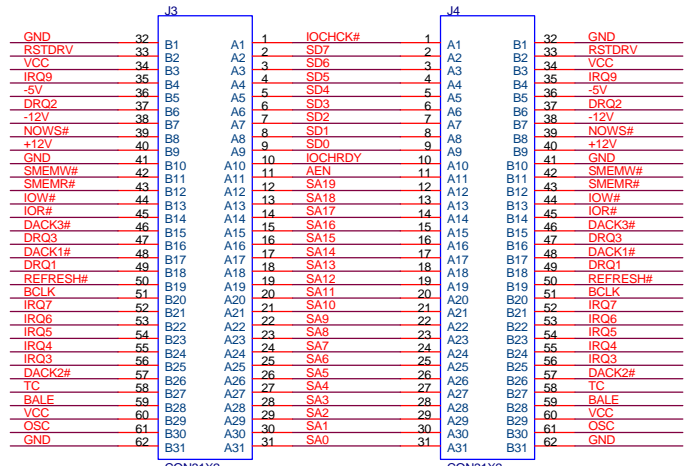
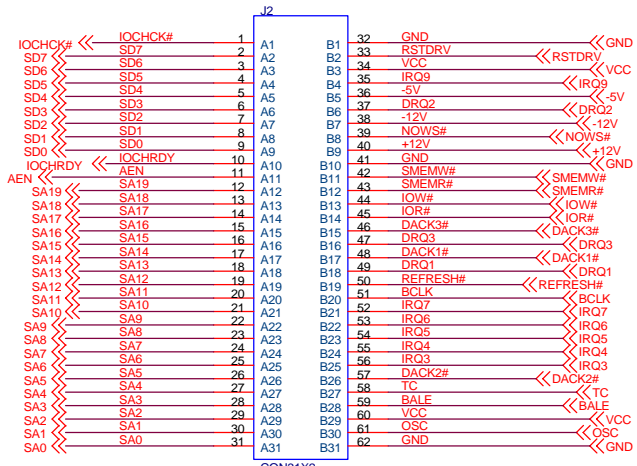
** Subject to Change Without Notice



**** Subject to Change Without Notice**

Preliminary
For Reference Only

ITE, Inc.		
Title: PCI Slot		
Size B	Document Number: IT8888	Rev 0.2
Date: Wednesday, October 25, 2000	Sheet 3	of 3



** Subject to Change Without Notice

Preliminary
For Reference Only

Title		ISA Slot	
Size	Document Number	Rev	
B	IT8888	3	0.2
Date:	Wednesday, October 25, 2000	Sheet	3 of 3