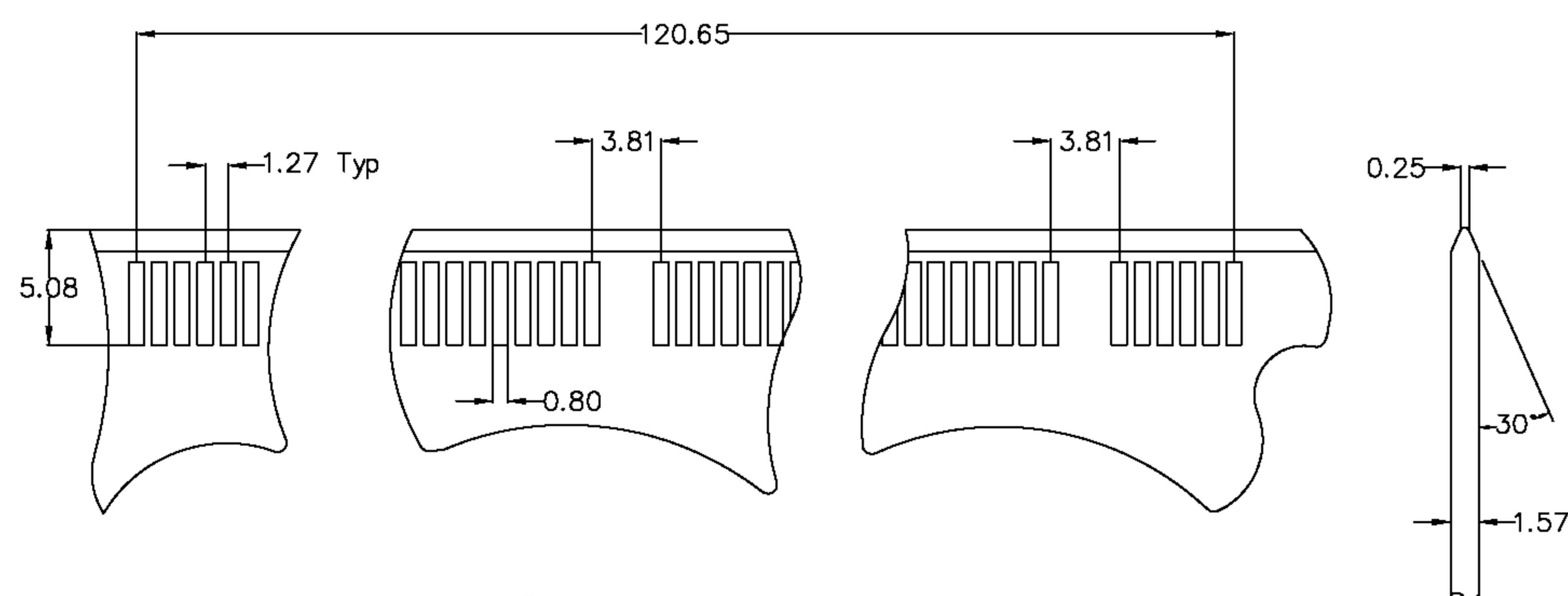
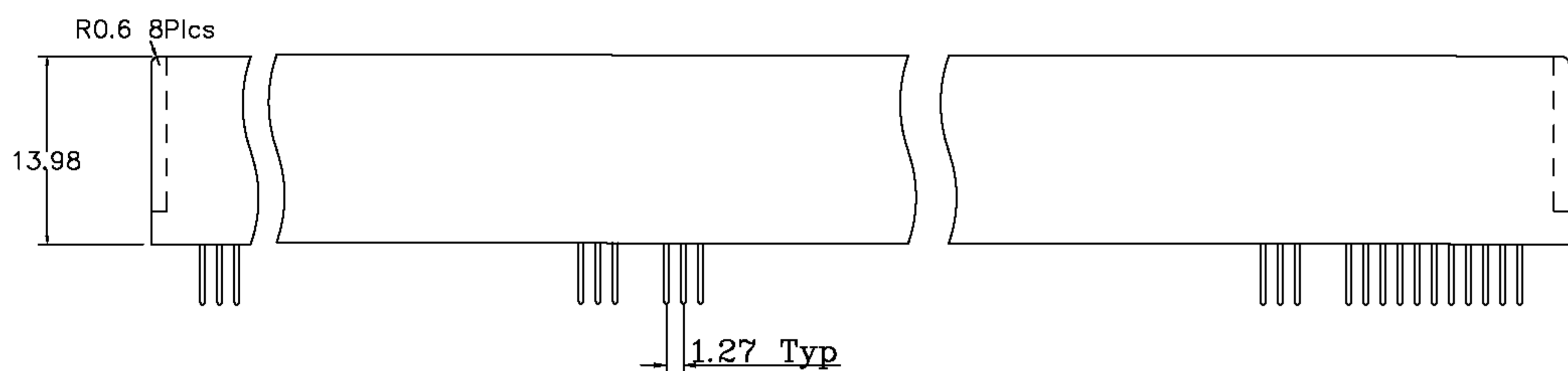
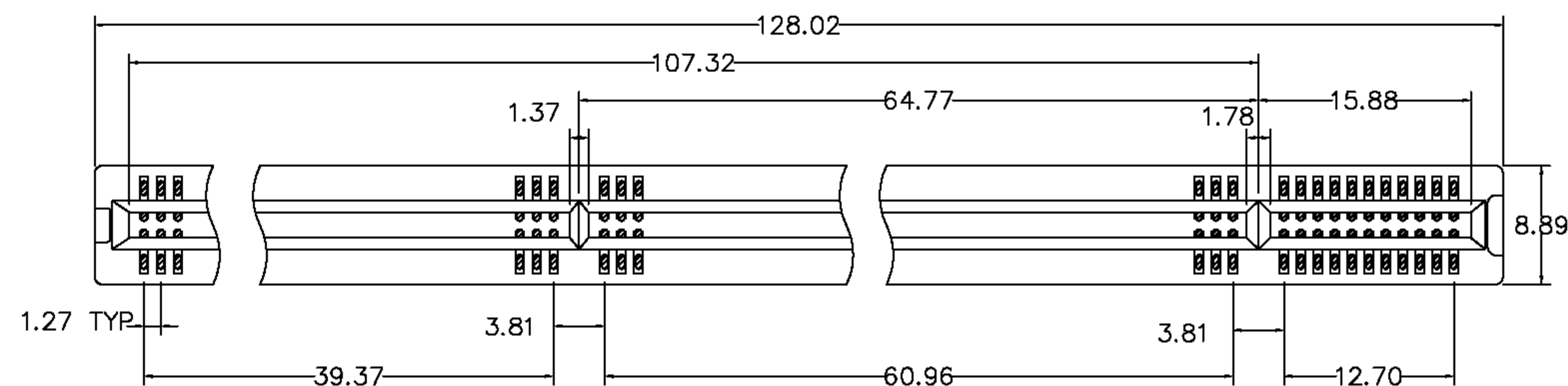
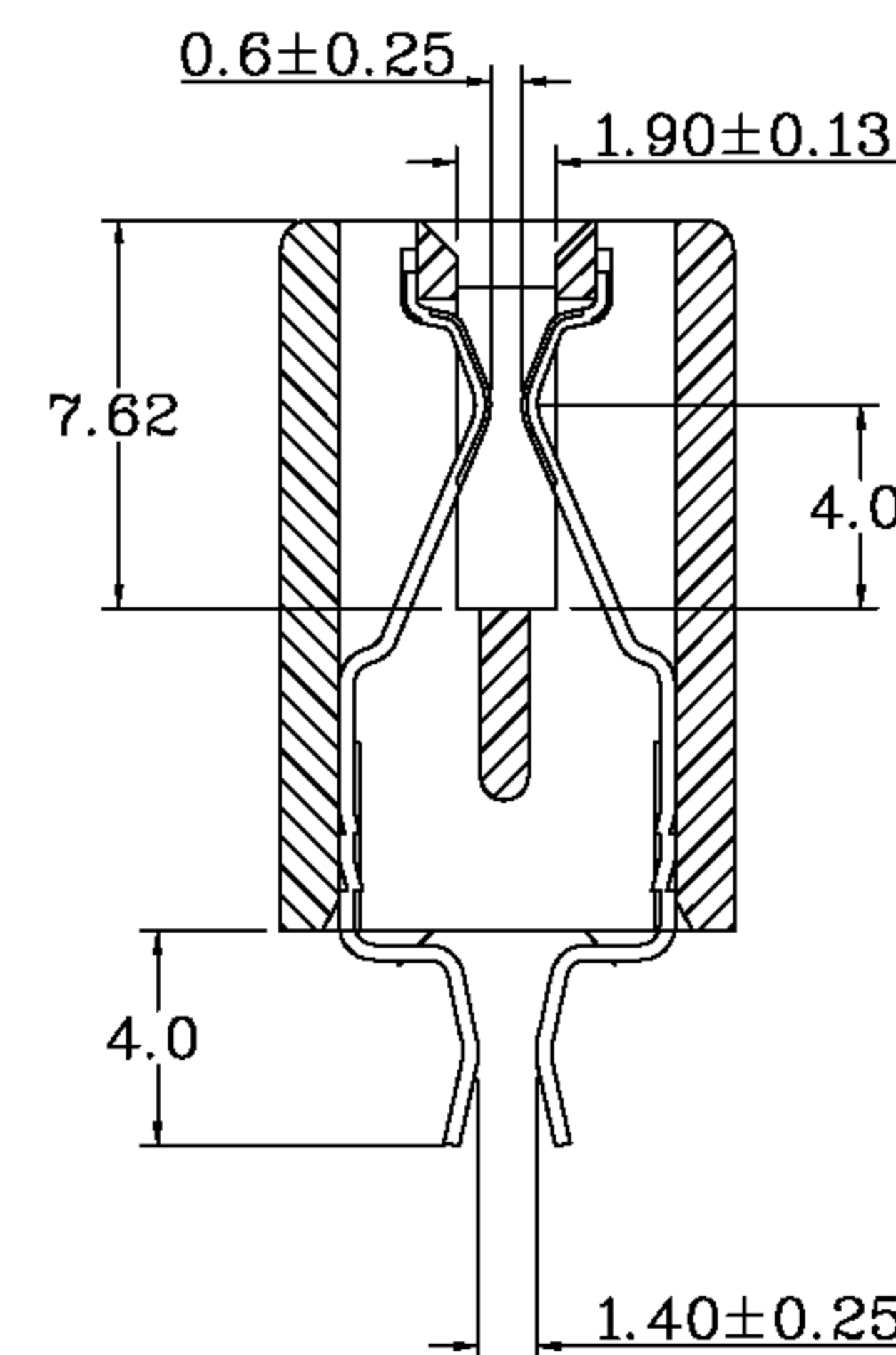


| REV. | ECN.NO.  | DATE     |
|------|----------|----------|
| A    | RELEASED | 04/23/09 |



P.C.B. Layout  
Three Bay Version



◇ Material

Body : High Temperature Thermoplastic, UL 94V-0(P.P.S)  
 Contacts : Copper Alloy  
 Contact Plating : Gold Plating Over Nickel On Contact  
 Area Tin Plating On Terminal Solder Tail.

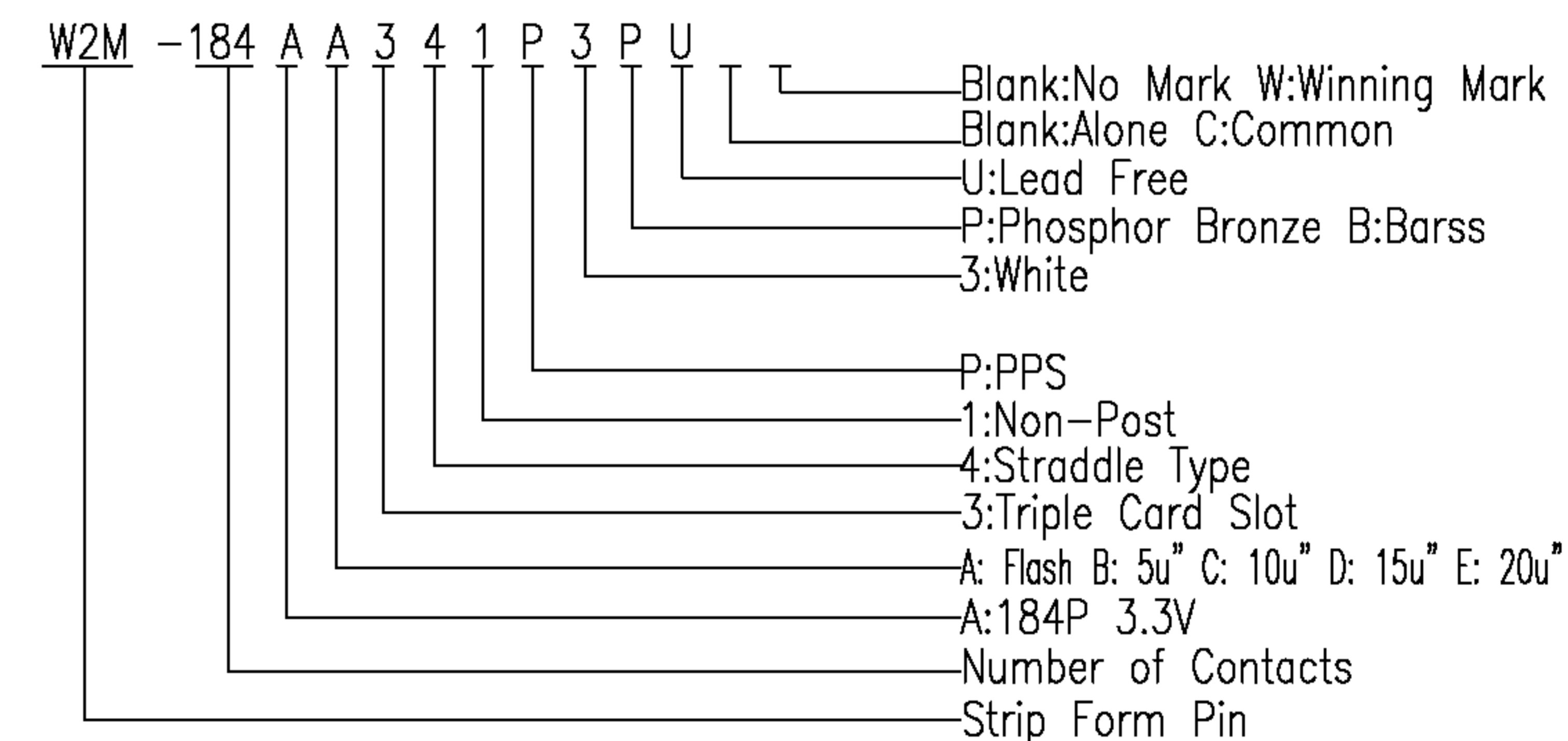
◇ Mechanical

Contact Normal Force : 75 Grams.  
 Durability : 100 Cycles.  
 Insertion Force : 196 Grams max.  
 Withdrawal Force : 28 Grams Min.  
 Contact Retention : 1 Lb. Min.

◇ Electrical Specification

Contact Resistance : 30 Milliohms Max. Initial, 10 Milliohms Max.  
 Increase Through Testing  
 Dielectric Withstanding Voltage : 500 VAC One Minute Or 1000 VAC  
 One Seconds.  
 Current Rating : 1 Ampere.  
 Insulation Resistance : 1000 Megohms min.  
 Operation Voltage : 125 VAC Max.  
 Capacitance : 2 pF Max.  
 Operating Temperature : -55°C To 105°C

\*How to order



|   |    |       |             |            |                        |        |             |                   |   |   |
|---|----|-------|-------------|------------|------------------------|--------|-------------|-------------------|---|---|
| REV                                     |    |       |             | Drawing By | Data                   |        |             |                   |   |   |
| Units                                   | mm | Scale | 1:1         | Lulu       | 04/23/09               | Date   | 04/23/09    | Title             | PCI 184 Pins 3.3V Connector<br>Straddle Type Non-Post |   |
| Tolerance Unless<br>Otherwise Specified |    |       | Reviewed By | Data       | Sheet                  | 1 of 1 |             |                   |   |   |
| .X                                      | ~  | ±0.38 | Rosh        | 04/23/09   | Third Angle Projection |        | Drawing No. | W2M-184PS-AN-N045 | REV   | A |
| .XX                                     | ~  | ±0.25 | Approval By | Data       |                        |        |             |                   |   |   |
| .XXX                                    | ~  | ±0.20 | Richard     | 04/23/09   |                        |        |             |                   |   |   |
| Angle                                   | ~  | ± 3°  |             |            |                        |        |             |                   |   |   |