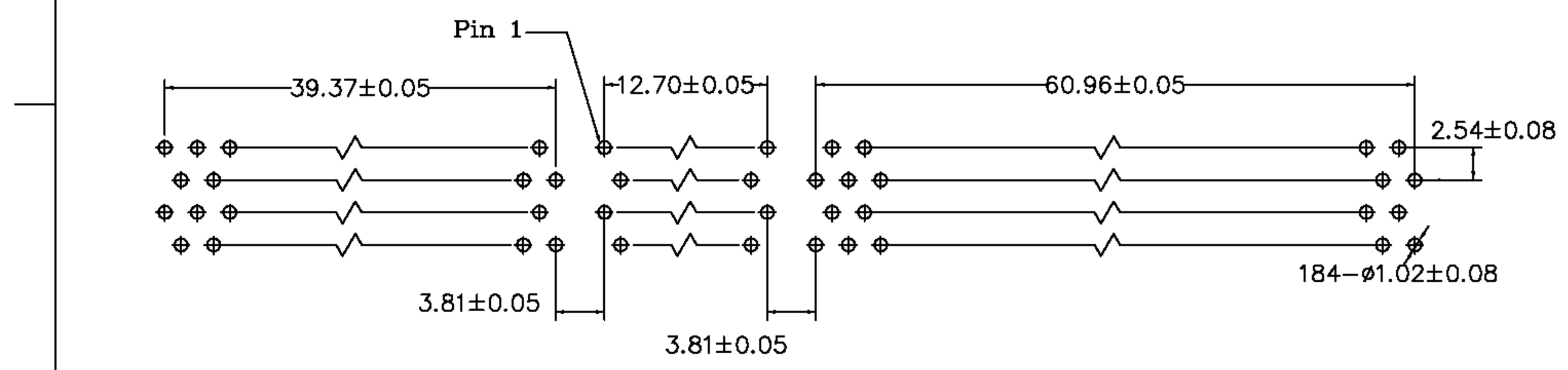
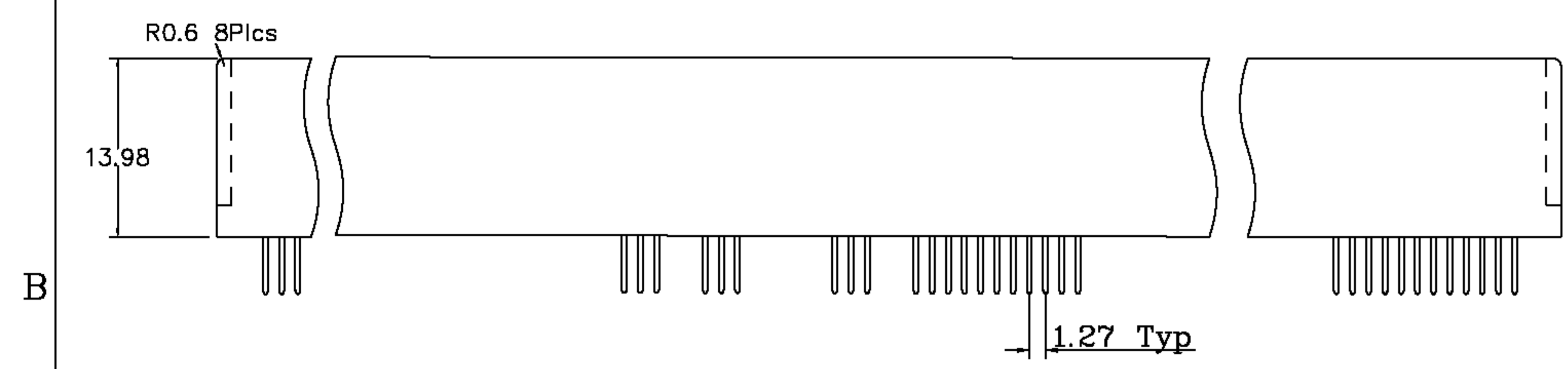
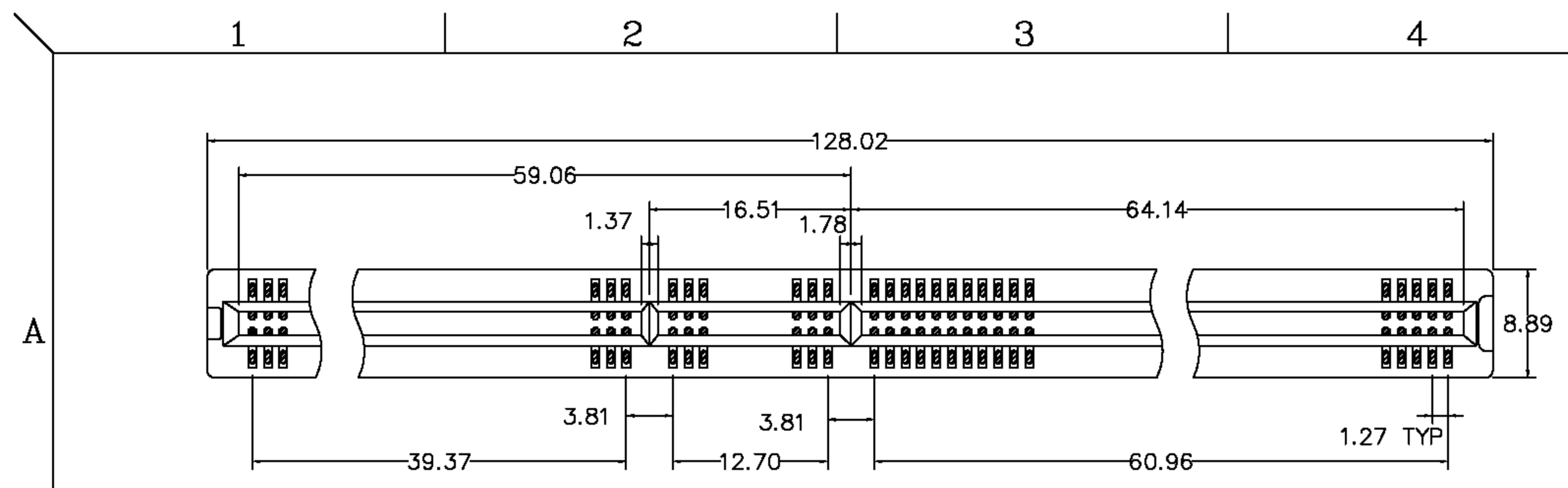
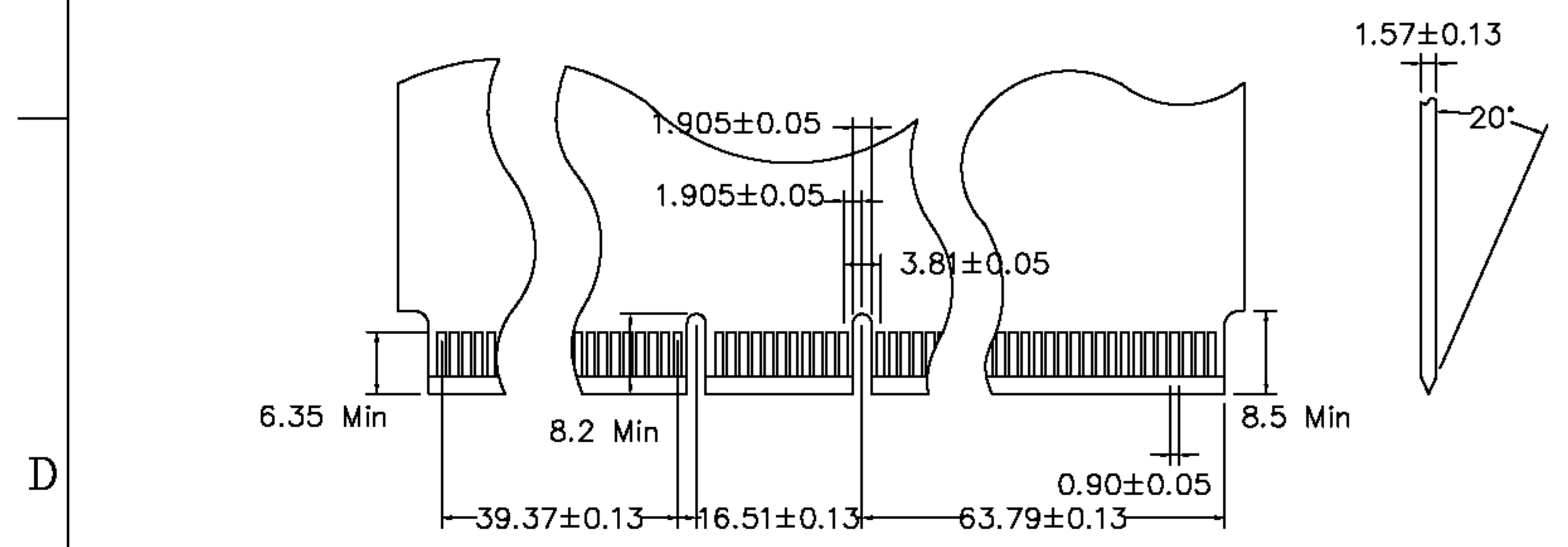


REV.	ECN.NO.	DATE
A	RELEASED	04/08/08



P.C. Board Layout



Daughter Card Requirements

◇ Material

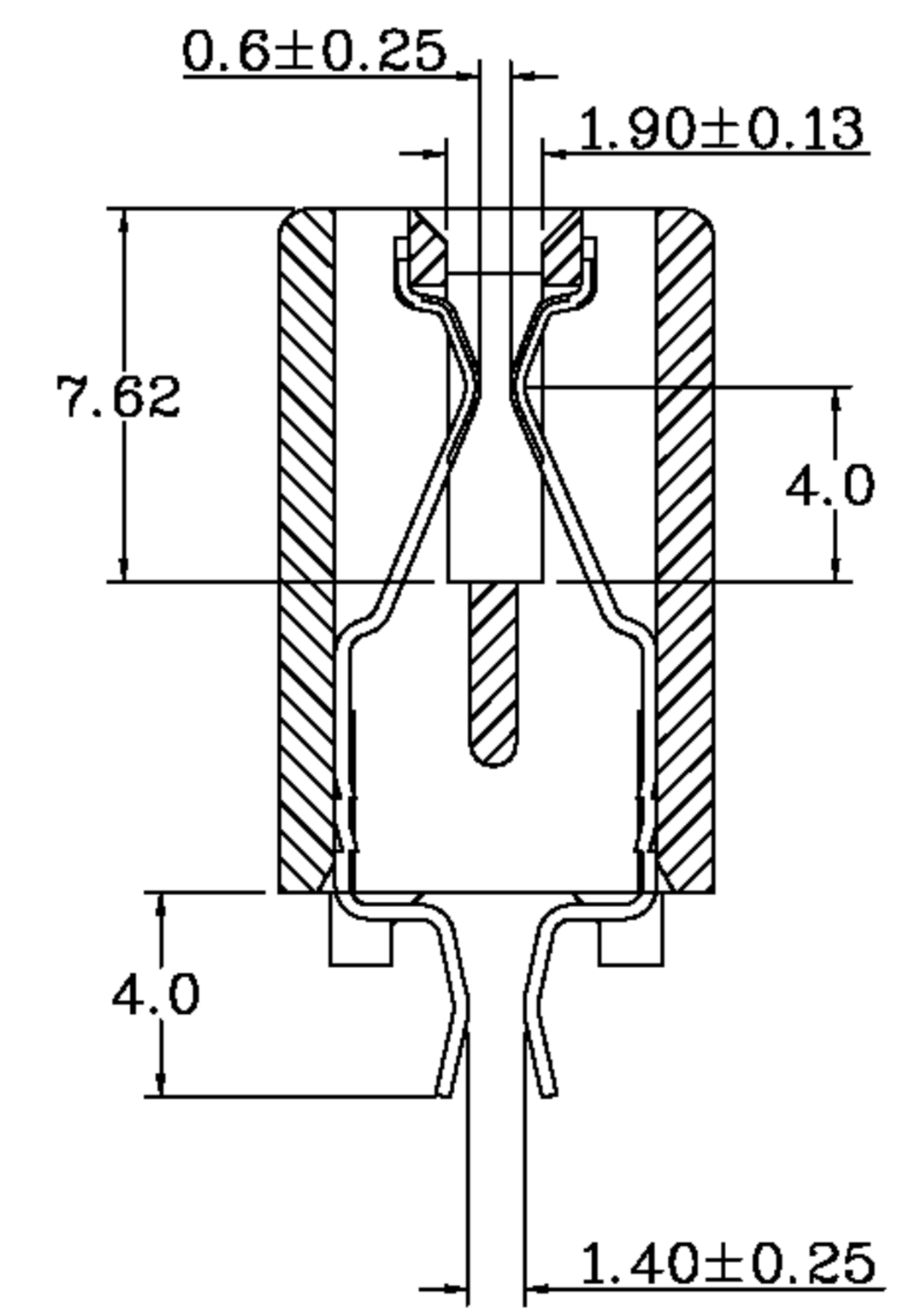
Body : High Temperature Thermoplastic,UL 94V-0(P.P.S)
 Contacts : Copper Alloy
 Contact Plating : Gold Plating Over Nickel On Contact
 Area Tin Plating On Terminal Solder Tail.

◇ Mechanical

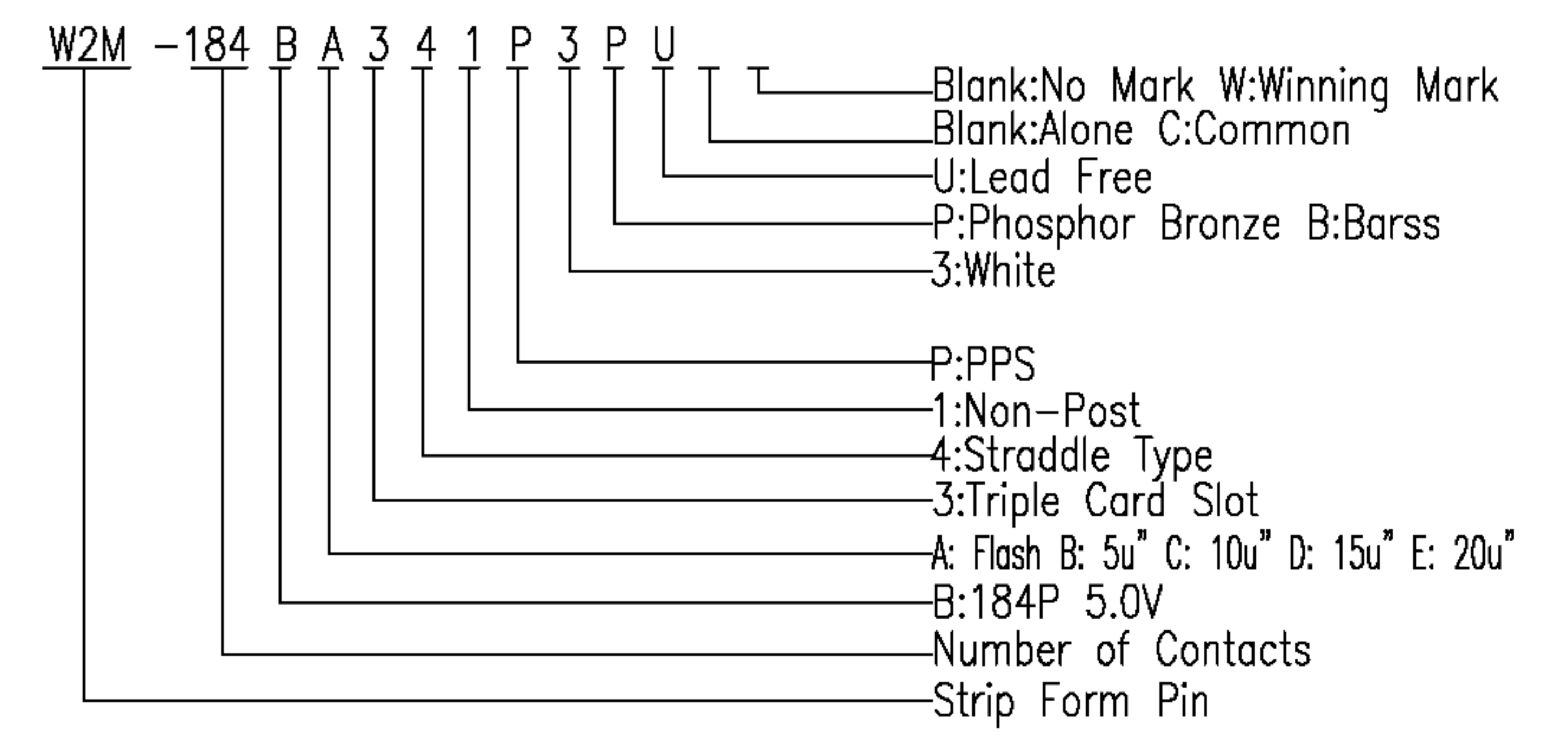
Contact Normal Force : 75 Grams.
 Durability : 100 Cycles.
 Insertion Force : 196 Grams max.
 Withdrawal Force : 28 Grams Min.
 Contact Retention : 1 Lb. Min.

◇ Electrical Specification

Contact Resistance : 30 Milliohms Max.Initial, 10 Milliohms Max.
 Increase Through Testing
 Dielectric Withstanding Voltage : 500 VAC One Minute Or 1000 VAC
 One Seconds.
 Current Rating : 1 Ampere.
 Insulation Resistance : 1000 Megohms min.
 Operation Voltage : 125 VAC Max.
 Capacitance : 2 pF Max.
 Operating Temperature -55°C To 105°C



*How to order



REV			Drawing By		Data					
Units	mm	Scale	1:1	Lulu	04/08/08	Date	04/08/08	Sheet	1 of 1	Title
Tolerance Unless Otherwise Specified				Reviewed By	Data	Third Angle Projection		PCI 184 Pins 5V Connector Straddle Type Non-Post		
.X	~	±0.38		Rosh	04/08/08					
.XX	~	±0.25		Approval By	Data					
.XXX	~	±0.20		Nancy	04/08/08			Drawing No.	W2M-184PS-AN-N042	REV
Angle	~	± 3°						A		